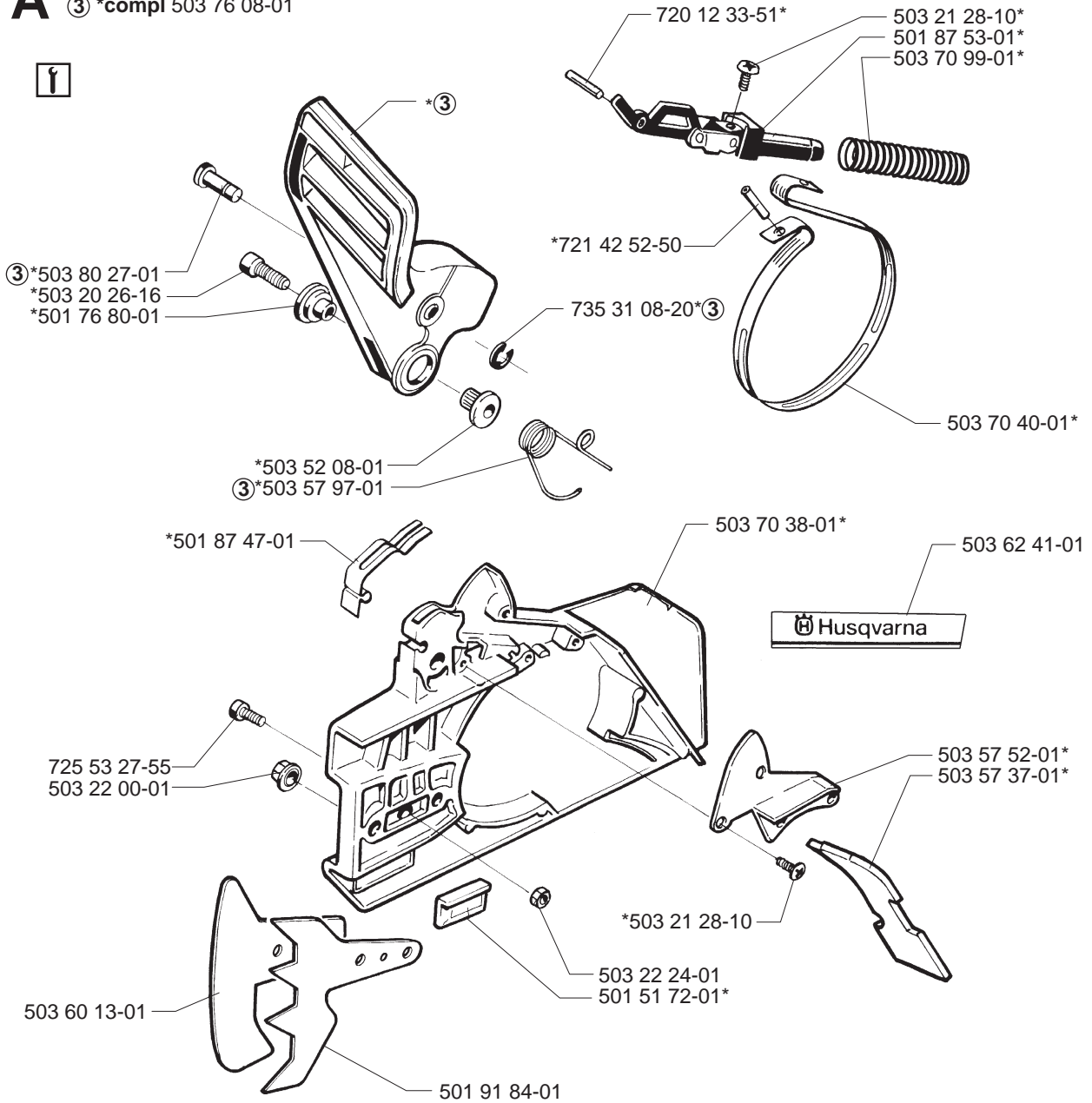


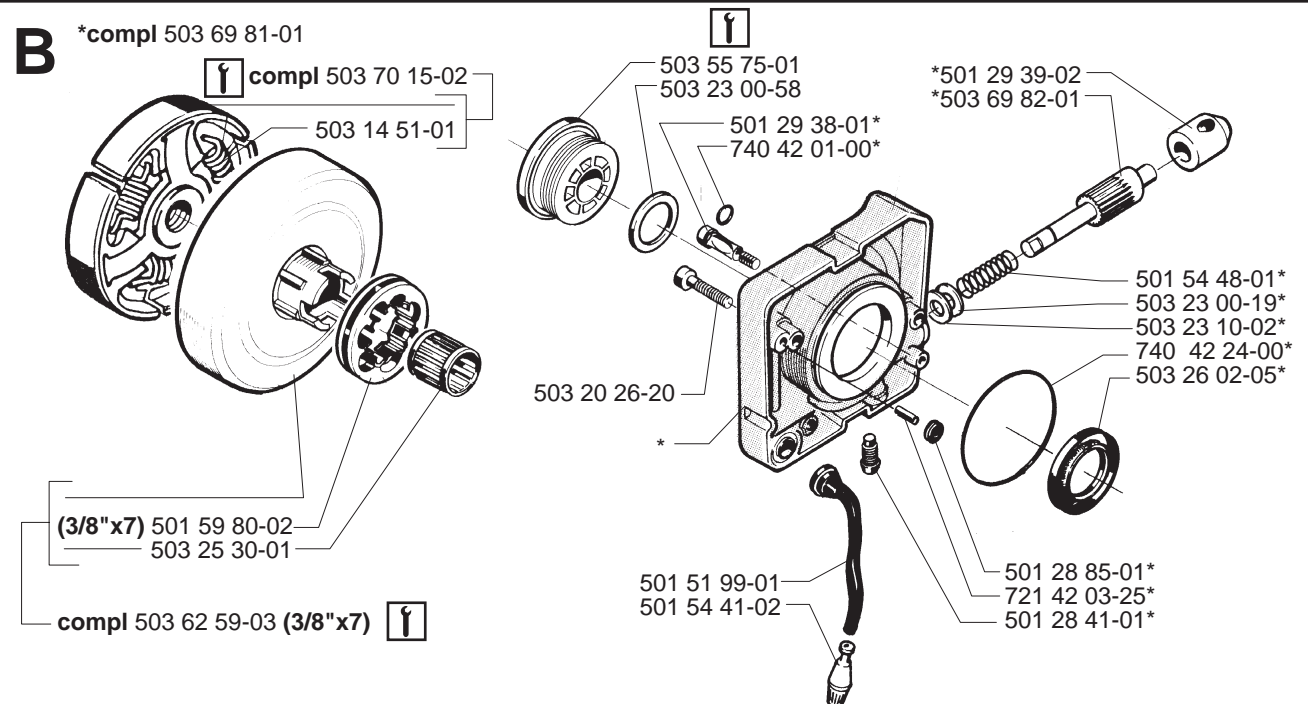
281, 288, 288 EPA

Spare parts	Replaces	
Ersatzteile	Ersetzt	
Pièces détachées	Remplace	
Reserve onderdelen	Vervangt	
Repuestos	Reemplaza	
Reservdelar	Ersätter	106 23 51-64

A *compl 503 74 67-02
 ③ *compl 503 76 08-01

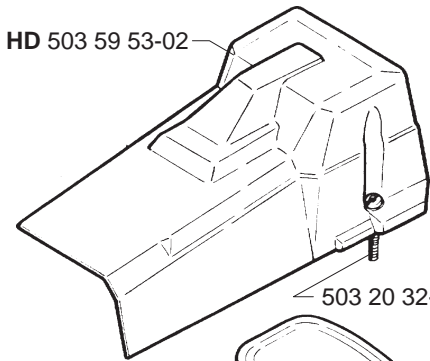


B *compl 503 69 81-01

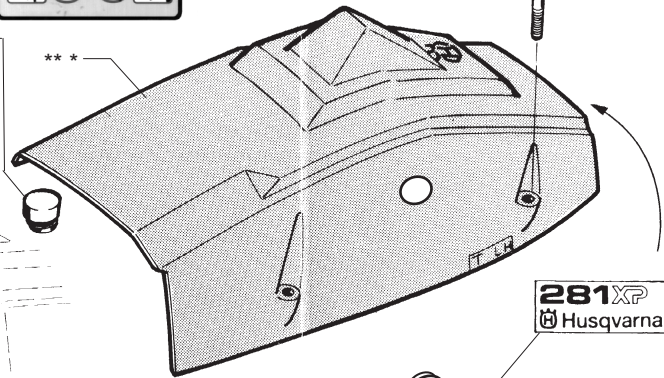


C

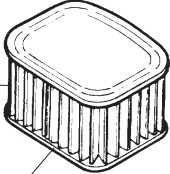
*compl 501 80 59-02 (281)
**compl 501 80 59-04 (288)



501 51 54-01
** 501 63 97-01

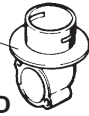


503 55 12-02
(Winter)



503 56 00-02

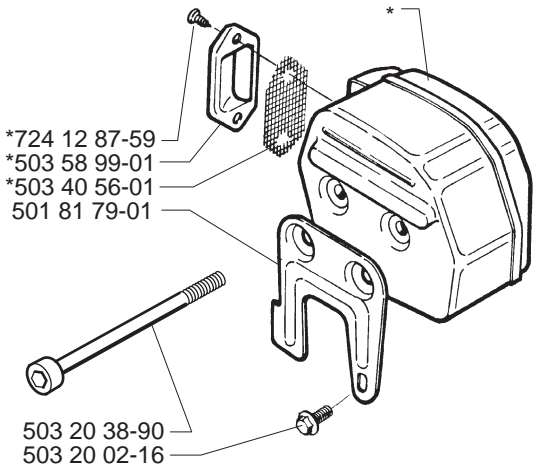
HD 503 59 54-01



compl 503 55 12-71 HD

D

*compl 503 59 15-01 (FF)

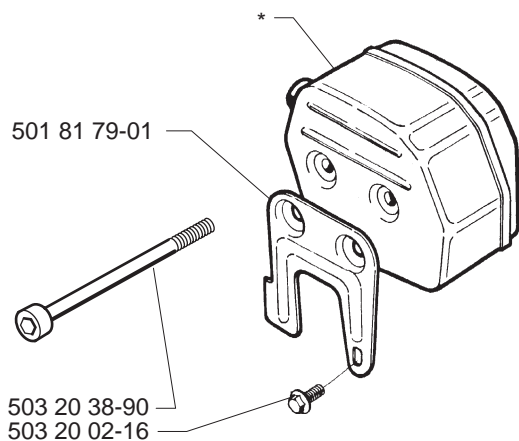


*724 12 87-59
*503 58 99-01
*503 40 56-01
501 81 79-01

503 20 38-90
503 20 02-16

E

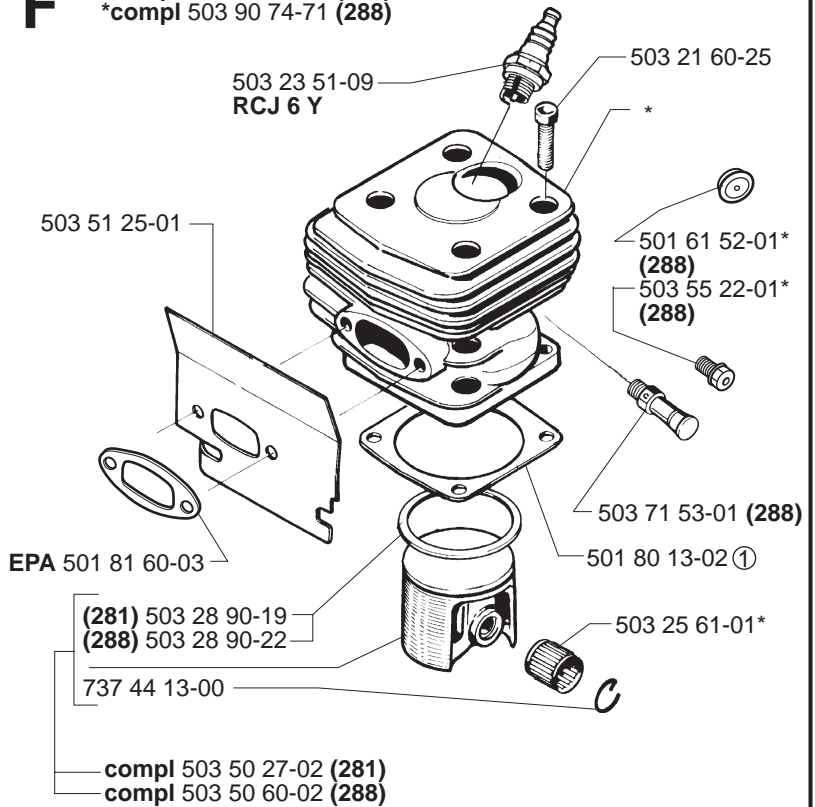
*compl 501 81 68-01 (Tube)
*compl 501 81 68-02 (DJ)



503 20 38-90
503 20 02-16

F

*compl 503 50 29-01 (281)
*compl 503 90 74-71 (288)



503 23 51-09
RCJ 6 Y

503 21 60-25

503 51 25-01

501 61 52-01*
(288)
503 55 22-01*
(288)

EPA 501 81 60-03

503 71 53-01 (288)

501 80 13-02 ①

(281) 503 28 90-19
(288) 503 28 90-22

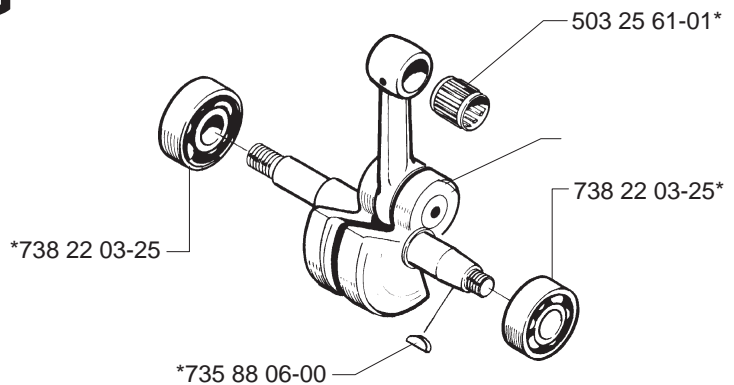
503 25 61-01*

737 44 13-00

compl 503 50 27-02 (281)
compl 503 50 60-02 (288)

G

*compl 501 81 49-01

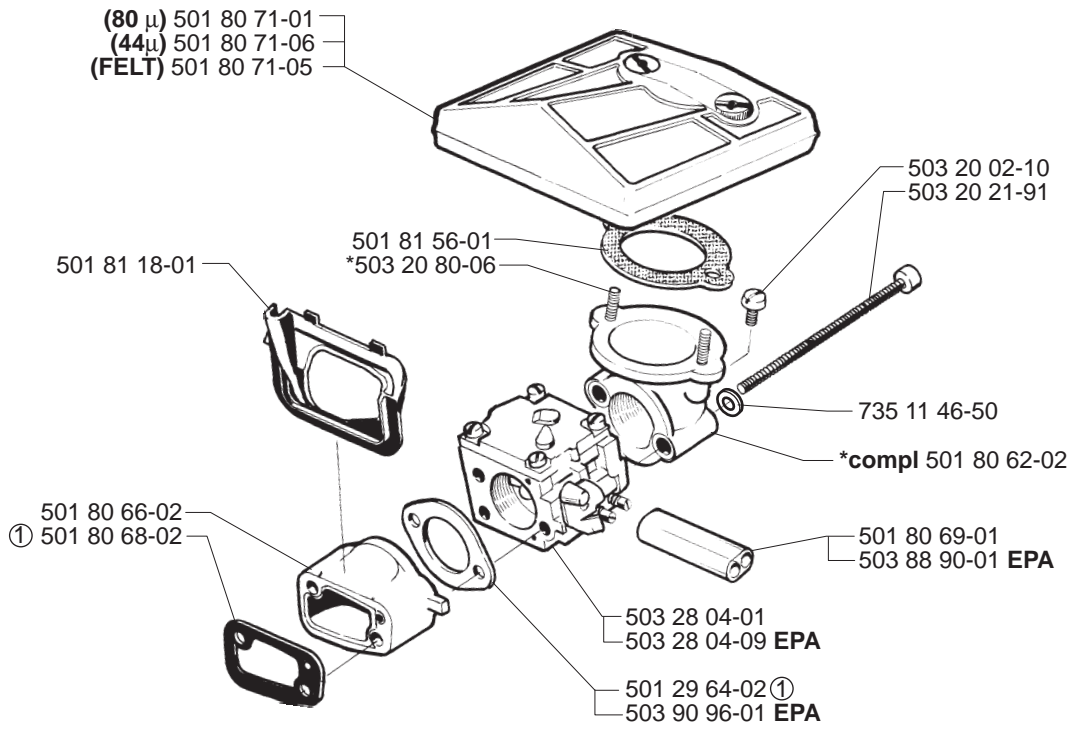
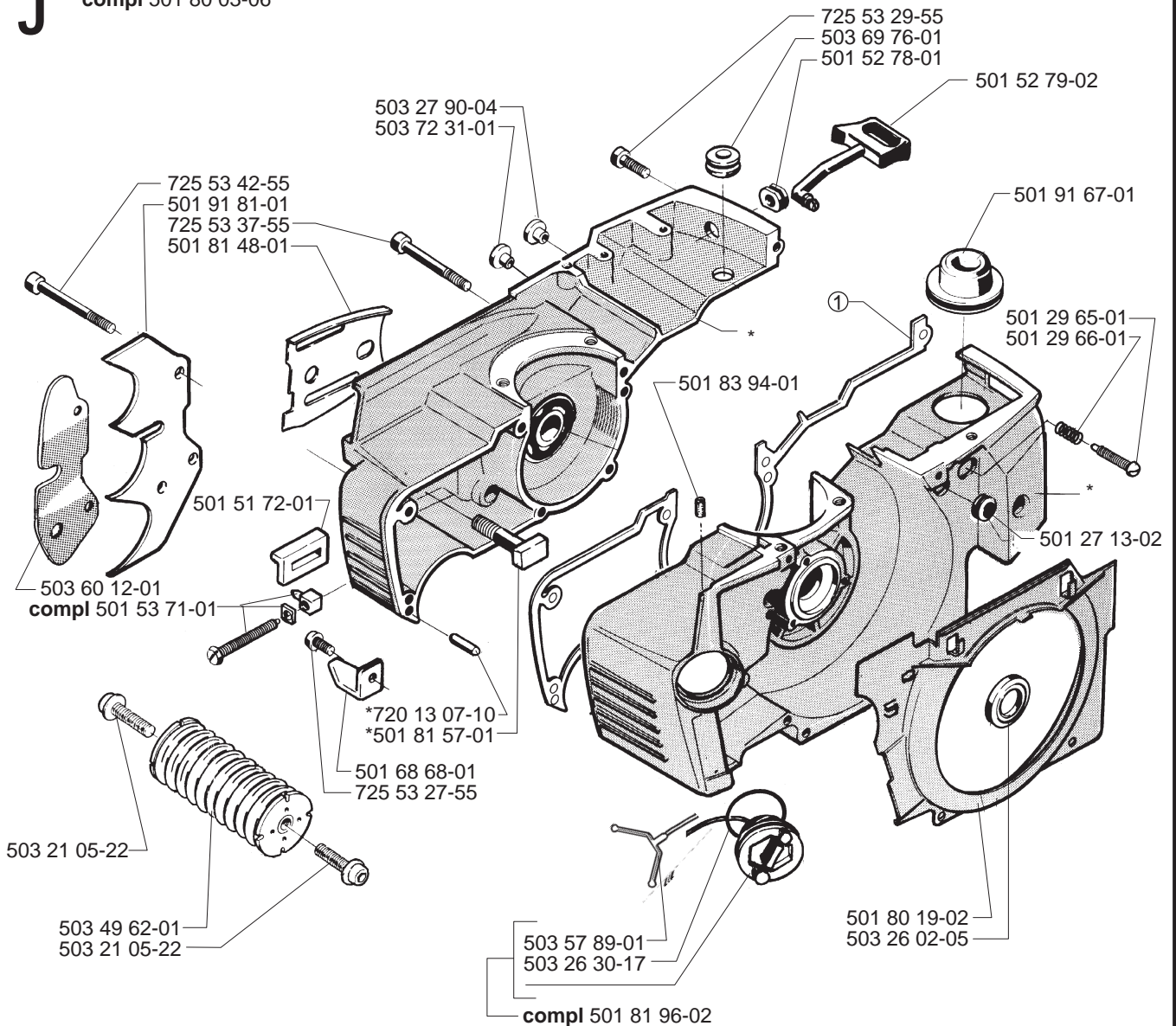


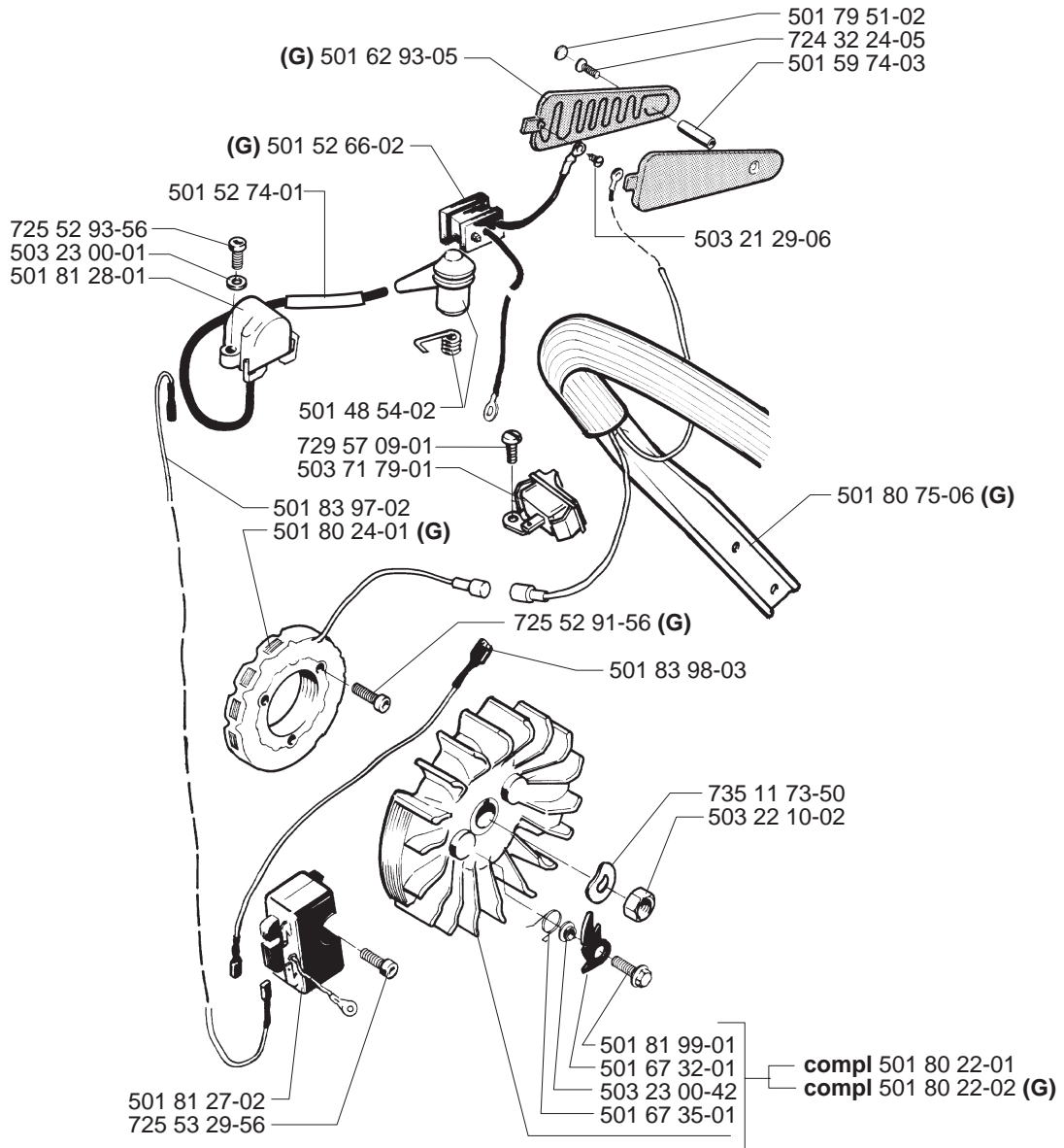
503 25 61-01*

*738 22 03-25

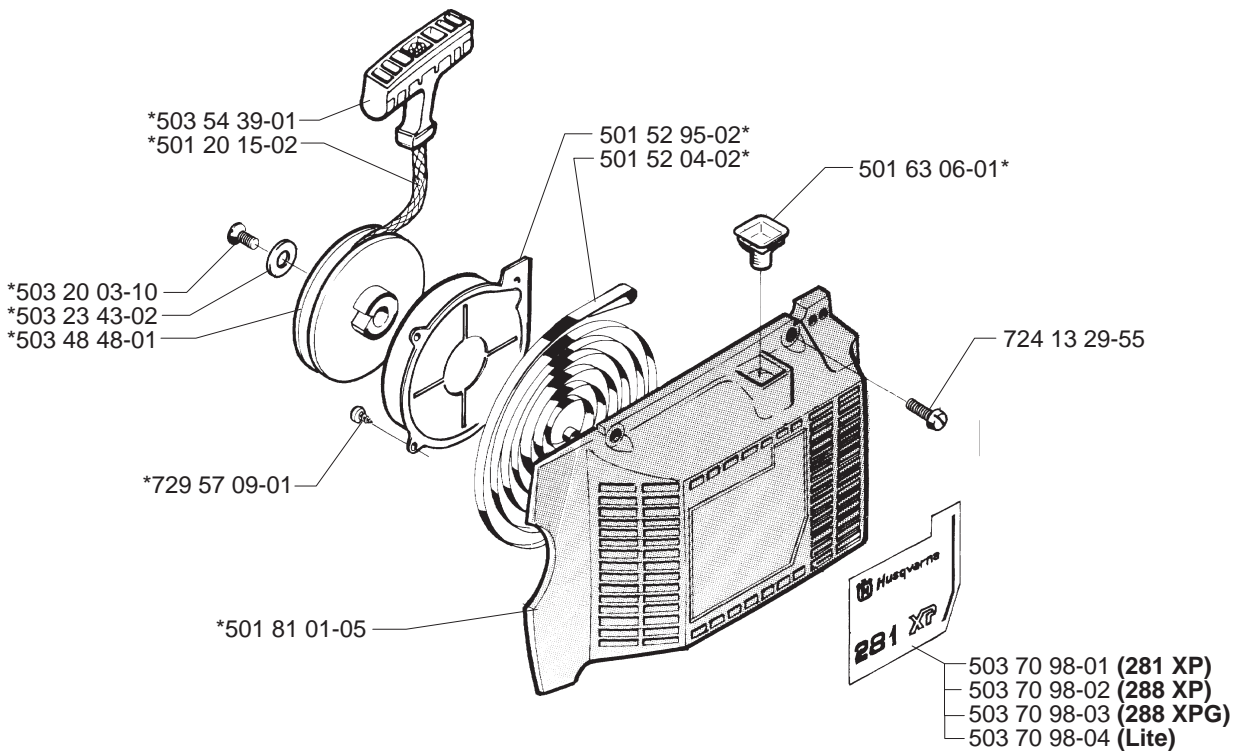
738 22 03-25*

*735 88 06-00

H***compl 000 00 00-00****J*****compl 501 80 03-06**

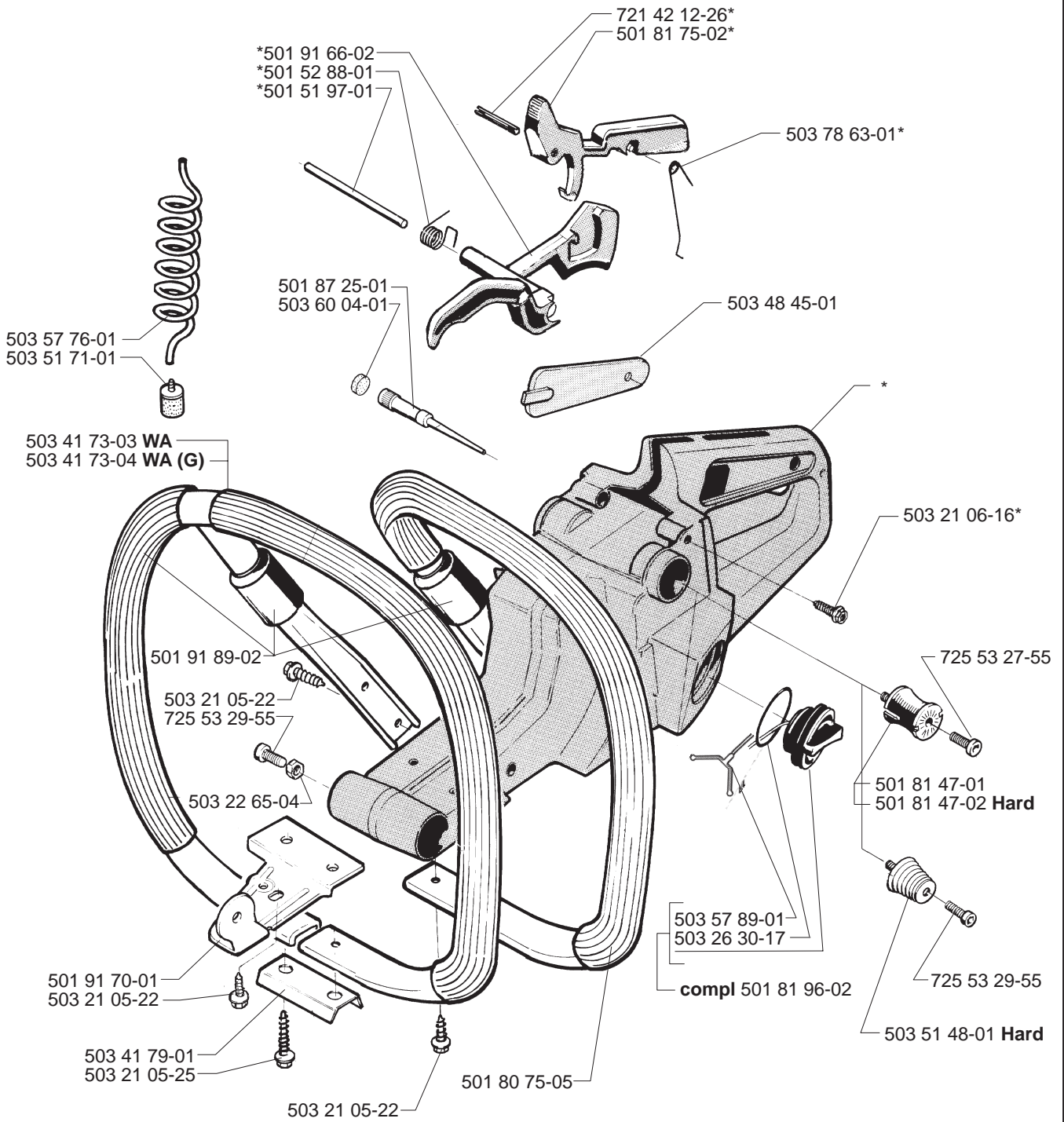
K**L**

*compl 501 81 00-06



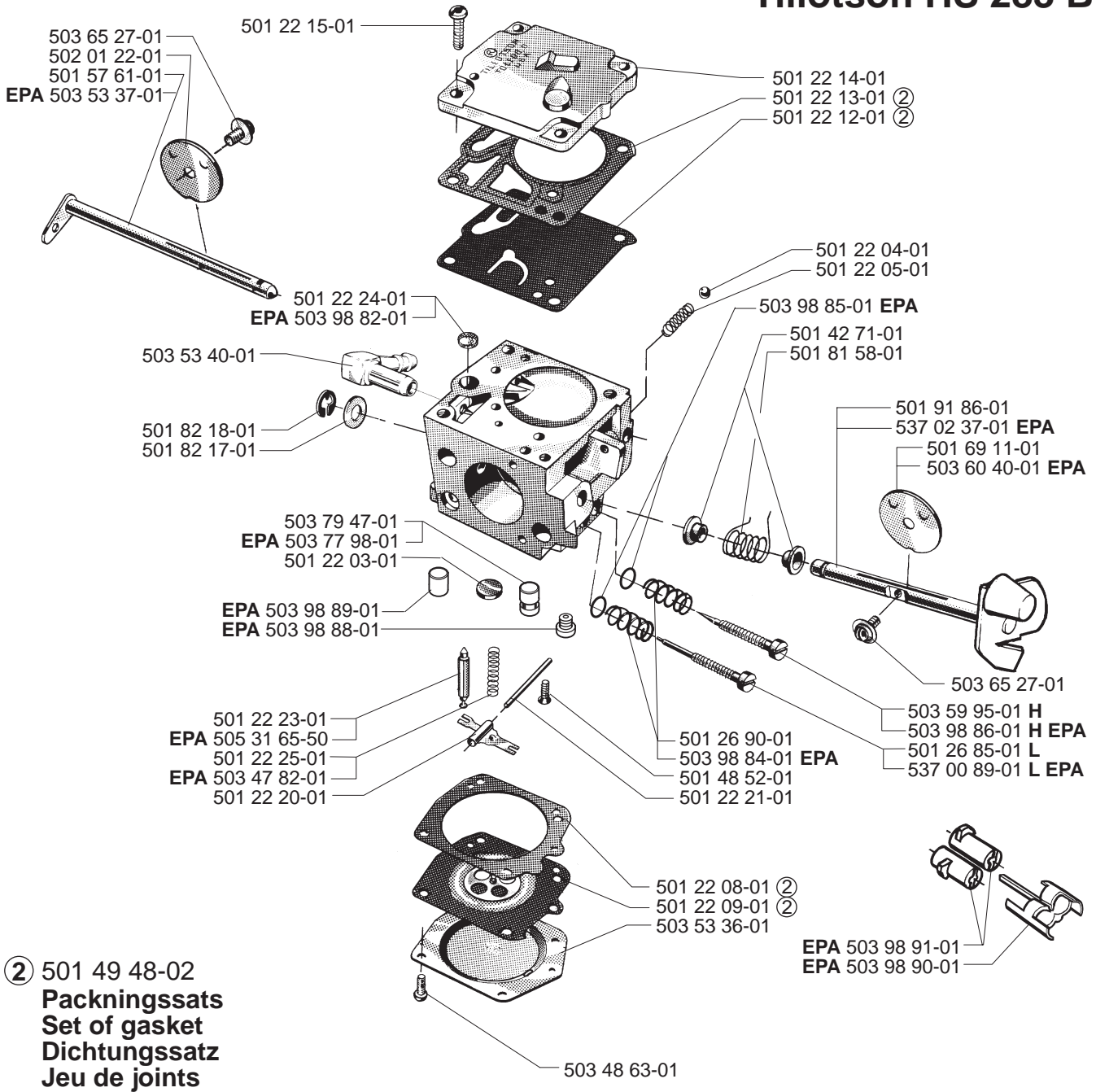
M

*compl 501 80 91-05



N compl 503 28 04-01
 compl 503 28 04-09 EPA

Tillotson HS 228 C Tillotson HS 283 B



P *compl 503 55 85-01

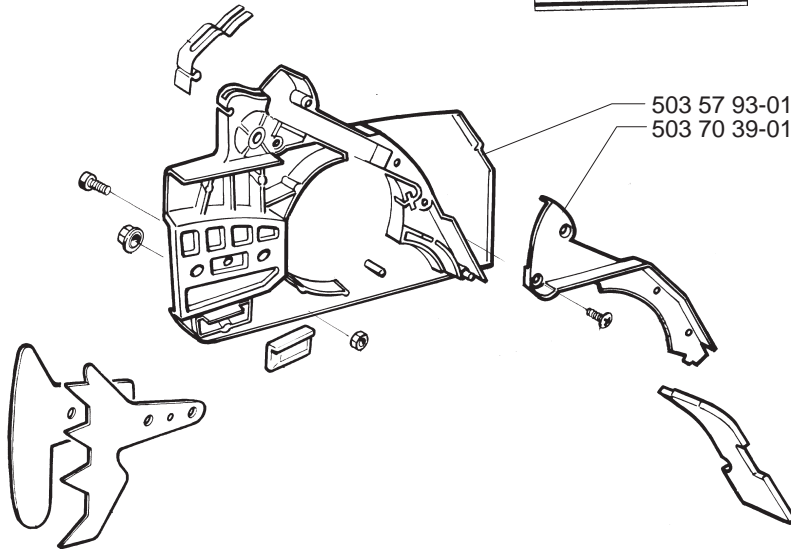
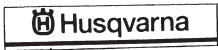
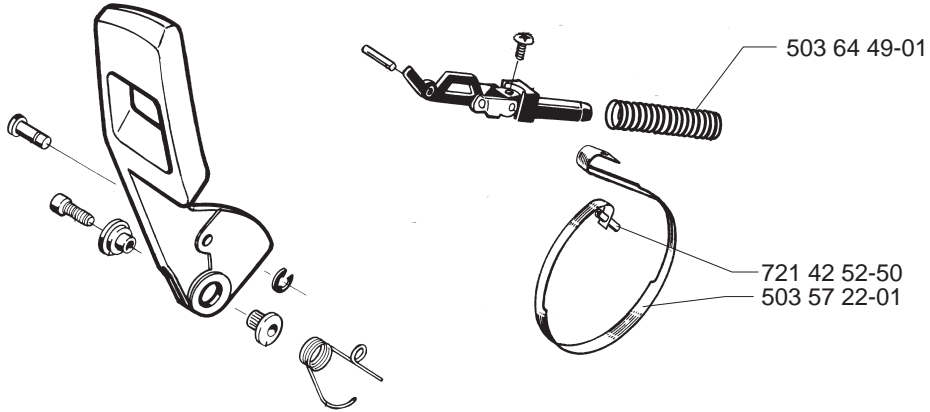
Tillbehör Accessories Accessoires Zubehör



Q

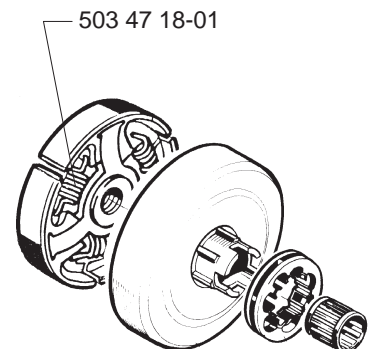
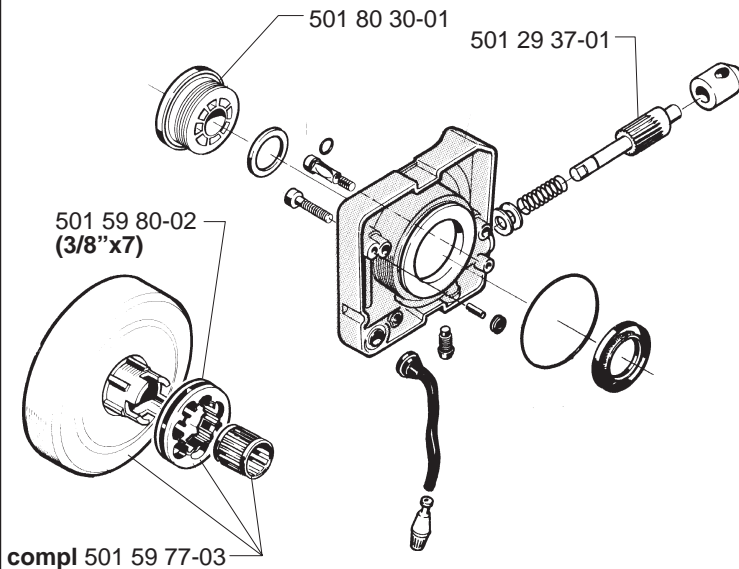


Up to 3340001-281
Up to 3350001-288



Up to 3340001-281
Up to 3350001-288

Up to 4220001-281
Up to 4250001-288



MODEL 281, 288, 288 EPA

PART NUMBER	SQUARE	NOTE	PART NUMBER	SQUARE	NOTE	PART NUMBER	SQUARE	NOTE	PART NUMBER	SQUARE	NOTE
501 20 15-02	L		501 80 68-02	H	1	503 23 43-02	L		503 70 98-02	L	
501 22 03-01	N		501 80 69-01	H		503 23 51-09	F		503 70 98-03	L	
501 22 04-01	N		501 80 71-01	H		503 25 30-01	B		503 70 98-04	L	
501 22 05-01	N		501 80 71-05	H		503 25 61-01	FG	N	503 70 99-01	A	
501 22 08-01	N	2	501 80 71-06	H		503 26 02-05	B,J		503 71 53-01	F	
501 22 09-01	N	2	501 80 75-05	M		503 26 30-17	M,J		503 71 79-01	K	
501 22 12-01	N	2	501 80 75-06	K		503 27 90-04	J		503 72 31-01	J	
501 22 13-01	N	2	501 80 91-05	M		503 28 04-01	H,N		503 74 67-02	A	
501 22 14-01	N		501 81 00-06	L		503 28 04-09	H,N	EPA	503 76 08-01	A	
501 22 15-01	N		501 81 01-05	L		503 28 90-19	F		503 77 98-01	N	EPA
501 22 20-01	N		501 81 18-01	H		503 28 90-22	F		503 78 63-01	M	
501 22 21-01	N		501 81 27-02	K		503 40 56-01	D		503 79 47-01	N	
501 22 23-01	N		501 81 28-01	K		503 41 73-03	M		503 80 27-01	A	N
501 22 24-01	N		501 81 34-02		1=compl	503 41 73-04	M	N	503 88 90-01	H	EPA
501 22 25-01	N		501 81 47-01	M		503 41 79-01	M		503 90 74-71	F	
501 26 85-01	N		501 81 47-02	M		503 47 18-01	Q		503 90 96-01	H	EPA
501 26 90-01	N		501 81 48-01	J		503 47 82-01	N	EPA	503 98 74-01	C	
501 27 13-02	J		501 81 49-01	G		503 48 45-01	M		503 98 82-01	N	EPA
501 28 41-01	B		501 81 56-01	H		503 48 48-01	L		503 98 84-01	N	EPA
501 28 85-01	B		501 81 57-01	J		503 48 63-01	N		503 98 85-01	N	EPA
501 29 37-01	Q		501 81 58-01	N		503 49 62-01	J		503 98 86-01	N	EPA
501 29 38-01	B		501 81 60-03	F	EPA	503 50 27-02	F		503 98 88-01	N	EPA
501 29 39-02	B		501 81 68-01	E		503 50 29-01	F		503 98 89-01	N	EPA
501 29 64-02	H	1	501 81 68-02	E		503 50 60-02	F		503 98 90-01	N	EPA
501 29 65-01	J		501 81 75-02	M		503 51 25-01	F		503 98 91-01	N	EPA
501 29 66-01	J		501 81 79-01	D,E		503 51 48-01	M		505 31 65-50	N	EPA
501 42 71-01	N		501 81 96-02	M,J		503 51 71-01	M		537 00 89-01	N	EPA
501 48 52-01	N		501 81 99-01	K		503 52 08-01	A		537 02 37-01	N	EPA
501 48 54-02	K		501 82 17-01	N		503 53 36-01	N		720 12 33-51	A	
501 49 48-02	N	2=compl	501 82 18-01	N		503 53 37-01	N	EPA	720 13 07-10	J	
501 51 54-01	C		501 83 94-01	J		503 53 40-01	N		721 42 03-25	B	
501 51 72-01	A,J		501 83 97-02	K		503 54 39-01	L		721 42 12-26	M	
501 51 97-01	M		501 83 98-03	K		503 55 12-02	C		721 42 52-50	A,Q	
501 51 99-01	B		501 87 25-01	M		503 55 12-71	C		724 12 87-59	D	
501 52 04-02	L		501 87 47-01	A		503 55 22-01	F		724 13 29-55	L	
501 52 66-02	K		501 87 53-01	A		503 55 75-01	B		724 32 24-05	K	
501 52 74-01	K		501 91 14-01	P		503 55 85-01	P		725 52 91-56	K	
501 52 78-01	J		501 91 66-02	M		503 55 86-02	P		725 52 93-56	K	
501 52 79-02	J		501 91 67-01	J		503 56 00-02	C		725 53 27-55	A,M,J	
501 52 88-01	M		501 91 70-01	M		503 57 22-01	Q		725 53 29-55	M,J	
501 52 95-02	L		501 91 81-01	J		503 57 37-01	A		725 53 29-56	K	
501 53 71-01	J		501 91 84-01	A		503 57 52-01	Q		725 53 37-55	J	
501 54 41-02	B		501 91 86-01	N		503 57 76-01	M		725 53 42-55	J	
501 54 48-01	B		501 91 89-02	M		503 57 89-01	M,J		729 57 09-01	K,L	
501 57 61-01	N		502 01 22-01	N		503 57 93-01	Q		735 11 46-50	H	
501 59 74-03	K		503 14 51-01	B		503 57 97-01	A		735 11 73-50	K	
501 59 77-03	Q		503 20 02-10	H		503 58 99-01	D	N	735 31 08-20	A	
501 59 80-02	B,Q		503 20 02-16	D,E		503 59 15-01	D		735 88 06-00	G	
501 61 52-01	C,F		503 20 03-10	L		503 59 53-02	C		737 44 13-00	F	
501 62 93-05	K		503 20 21-91	H		503 59 54-01	C		738 22 03-25	G	
501 63 06-01	L		503 20 26-16	A		503 59 95-01	N		740 42 01-00	B	
501 63 97-01	C		503 20 26-20	B	N	503 60 04-01	M		740 42 24-00	B	
501 67 32-01	K		503 20 32-28	C		503 60 12-01	J				
501 67 35-01	K		503 20 38-90	D,E		503 60 13-01	A				
501 68 68-01	J		503 20 80-06	H		503 60 40-01	N	N,EPA			
501 69 11-01	N		503 21 05-22	M,J		503 62 12-01	P				
501 69 17-01	P		503 21 05-25	M		503 62 41-01	A				
501 76 80-01	A		503 21 06-16	M		503 62 59-03	B				
501 79 51-02	K		503 21 28-10	A		503 64 49-01	Q				
501 80 03-06	J		503 21 29-06	K		503 65 27-01	N				
501 80 13-02	F	1	503 21 60-25	F		503 66 28-12	C				
501 80 19-02	J		503 22 00-01	A		503 66 28-13	C				
501 80 22-01	K		503 22 10-02	K		503 69 76-01	J				
501 80 22-02	K		503 22 24-01	A		503 69 81-01	B				
501 80 24-01	K		503 22 65-04	M	N	503 69 82-01	B				
501 80 30-01	Q		503 23 00-01	K		503 70 15-02	B	N			
501 80 59-02	C		503 23 00-19	B		503 70 38-01	A				
501 80 59-04	C		503 23 00-42	K		503 70 39-01	A				
501 80 62-02	H		503 23 00-58	B		503 70 40-01	A				
501 80 66-02	H		503 23 10-02	B		503 70 98-01	L				

1 = 501 81 34-02
2 = 501 49 48-02

Set of gaskets, Dichtungssatz,
Jeu de joints, Juego de juntas,
Packningssats

N = New part, Neues teil,
Nouvelle piece, Nueva pieza
Ny detalj

EPA = Environmental Protection Agency
(for USA only)